

Climate Monitoring and Black Carbon Detection Using Raspberry Pi with Machine Learning [†]

M. Chandrakala ^{*}, M.V Lakshmaiah

Department of Physics, Sri Venkateswara University, Anantapuramu 515003, AP, India.

Drmvl2009@gmail.com

^{*} Correspondence: cnksvu@gmail.com

[†] Presented at the title Climate Monitoring and Black Carbon Detection Using Raspberry Pi with Machine Learning, place-Bangalore, and date-20-10-2023.

Abstract: The Proposed climate monitoring system aims to address the substantial risks to human health, climate stability, and ecological balance posed by air pollution, utilizes Raspberry Pi as a central procession unit and integrates various sensors, which also incorporate sensors to measure the concentrations of PM1, PM2.5, PM10, and black carbon. This method meets the need for effective and immediate air quality monitoring and offers useful information to communities, academics, and policymakers. Through IoT connectivity, the gathered data is sent to a cloud-based platform for analysis and visualization. The system offers a user-friendly interface that presents actionable insights for informed decision-making. Its warning capabilities alert users when pollution levels exceed thresholds and also this system contributes to a comprehensive understanding of air pollution. By measuring particulate matter and black carbon levels, it supports the development of effective air quality management strategies. The system helps to take proactive measures and create cleaner and healthier environments. In conclusion, the proposed Climate Monitoring System utilizing Raspberry Pi, sensors, IoT connectivity, and machine learning techniques offers an effective and real-time solution for monitoring air quality. The integration of IoT connectivity allows remote access to air quality data, while machine learning algorithms analyse the data and initiate alerts.

Keywords: Climate; Raspberry pi; sensors; IOT

1. Introduction

In this paper, we explore machine learning algorithms in the context of air pollution (AP) prediction and monitoring utilizing data from Internet of Things (IoT) sensors. While machine learning algorithms have rapidly advanced and found applications across various fields and domains, the realm of AP prediction remains open for exploration. One particularly crucial parameter, particulate matter, serves as a pivotal indicator of pollution levels in specific areas at precise times. These essential pollutant data are gathered through sensor networks. Particulate matter as a vital parameter, offers a distinct and unequivocal signal of pollution levels in the area at that specific time. These pollutant data are obtained through sensor-based extraction.

To process the data from these sensors, an analog-to-digital converter is necessary since most of them produce analog output. The Raspberry Pi 3B+ microcontroller is employed to handle this task using specialized software and coding. The data is then analyzed, and a graphical representation illustrating changes in the local environment over time is generated. The validity of the results was confirmed through verification. The experiment control authority. This system has the potential to facilitate real-time decision-making and is particularly effective in addressing the ongoing issue of elevated air pollution levels in many Indian cities [1,2]

Citation: To be added by editorial staff during production.

Academic Editor: Firstname Last-name

Published: date



Copyright: © 2023 by the authors. Submitted for possible open access publication under the terms and conditions of the Creative Commons Attribution (CC BY) license (<https://creativecommons.org/licenses/by/4.0/>).

2. Data and Methodology

In this project, we suggest a technique to address this problem using a Raspberry Pi board and a few sensors. MQ2, MQ135, and DHT11 can measure air temperature, humidity, and gas concentration. The BMP180 sensor will measure air pressure. These sensor measurements are continuously transferred to the cloud platform (shown in **Figure 1**). Consequently, using this technology makes it feasible to continuously monitor the meteorological conditions. Data will be shown on the LCD. We require an ADC to send data from the gas sensors to the Raspberry Pi because the sensors generate analog values.

Web applications in embedded systems offer remote device and system monitoring and control using a web-based interface. The integration of machine learning algorithms empowers the system to analyze the collected data [3,4], detect patterns, and identify potential air pollution sources or trends. With its user-friendly interface and actionable insights, this advanced air quality monitoring system using Raspberry Pi serves as a valuable tool for individuals, communities, and organizations in safeguarding and improving air quality for a healthier and sustainable future [5,6].

3. Principle of Operation

Machine learning in embedded systems is the integration of machine learning algorithms and techniques into small, resource-constrained devices like microcontrollers, IoT devices, or embedded systems. This makes it possible for these devices to carry out intelligent functions, make predictions, and modify their behaviour in response to inputs without needing constant online access. These devices can handle and analyse data in real-time by integrating machine learning capabilities locally, making them more responsive and effective. Robotics, autonomous vehicles, smart home gadgets, industrial automation, and healthcare are just a few examples of the many fields where machine learning in embedded systems finds applications[7,8]. To achieve effective and precise performance within the confines of the device, machine learning models must be deployed on embedded systems, which necessitates careful consideration of CPU resources, power consumption, memory constraints, and model optimization strategies[9]. Web applications in embedded systems offer remote device and system monitoring and control using a web-based interface. The integration of machine learning algorithms empowers the system to analyze the collected data, detect patterns, and identify potential air pollution sources or trends[10,11]. With its user-friendly interface and actionable insights, this advanced climate monitoring system using Raspberry Pi serves as a valuable tool for individuals, communities, and organizations in safeguarding and improving the weather around us for a healthier and sustainable future[12,13].

3.1. Components Used

- Raspberry Pi
- MQ2 Sensor
- DHT11 Sensor
- LCD
- BMP135 Gas Sensor Module
- PM7003 Sensor

4. Results

The results of the Climate Monitoring of Block Carbon Detection using Raspberry Pi with Machine Learning are shown in these results **Figures 2, 3, and 4**.

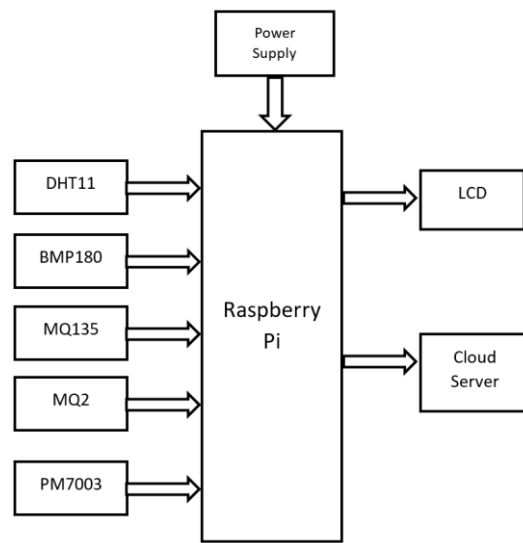


Figure 1. illustrates the Block diagram of our Climate Monitoring system using machine learning and Raspberry Pi.

90
91
92



Figure 2. Photograph of the LCD display showing the real-time temperature and humidity readings.

93
94
95



Figure 3. Photograph of the LCD screen showing the CO and CO2 values.

96
97



98

Figure 4. The sensor values are uploaded in Thingspeak server (IOT).

5. Conclusion

This project proposes the implementation of an IOT system utilizing a Raspberry Pi microcontroller for monitoring and improving the air quality of the environment. The utilization of IOT technology enhances the monitoring of various environmental factors, including the air quality issue addressed in this project. Here, the use of temperature, and gas sensors and black carbon particles provides the feel of various harmful gases that regulate the entire operation. In order to solve the problems with air quality, the integrated IoT air pollution system was created. Various hazardous gases that are present in the environment are mostly detected by the sensors. Additionally, these sensors can be implemented in mobile automaton that can detect the earth's polluting gases. By introducing new conventions, security measures can be improved to secure the data being delivered across the segments.

Supplementary Materials: Not applicable

Author Contributions: M.C. developed the entire hardware using Python code with the scientific guidance of M.V.L. carried out the data analysis and wrote the manuscript. Every author has reviewed and consented to the final published version of the manuscript.

Funding: Not applicable

Institutional Review Board Statement: Not applicable

Informed Consent Statement: Not applicable

Data Availability Statement: In This study work we are using real-time sensor data.

Acknowledgments: I would like to thank S.V. University research scholar C. Sravani for helping with technical assistance.

Conflicts of Interest: The authors have no conflict of interest to disclose.

References

1. I. Banerjee, R. Naskar, K. Deb, D. Saha, S. Bhattacharjee, and D. K. Roy, "Advanced air quality monitoring system using raspberry pi," in *2019 International Conference on Opto-Electronics and Applied Optics (Optronix)*, 2019, pp. 1-4: IEEE.
2. S. Gulia, S. S. Nagendra, M. Khare, and I. J. A. P. R. Khanna, "Urban air quality management-A review," vol. 6, no. 2, pp. 286-304, 2015.
3. R. D. Kutzner, E. von Schneidmesser, F. Kuik, J. Quedenau, E. C. Weatherhead, and J. J. A. E. Schmale, "Long-term monitoring of black carbon across Germany," vol. 185, pp. 41-52, 2018.
4. E. Z. Tragos *et al.*, "Enabling reliable and secure IoT-based smart city applications," in *2014 IEEE International Conference on Pervasive Computing and Communication Workshops (PERCOM WORKSHOPS)*, 2014, pp. 111-116: IEEE.
5. A. Wang, J. Xu, R. Tu, M. Saleh, M. J. T. R. P. D. T. Hatzopoulou, and Environment, "Potential of machine learning for prediction of traffic related air pollution," vol. 88, p. 102599, 2020.
6. C. Xiaojun, L. Xianpeng, and X. Peng, "IOT-based air pollution monitoring and forecasting system," in *2015 international conference on computer and computational sciences (ICCCS)*, 2015, pp. 257-260: IEEE.
7. D. Krewski *et al.*, *Extended follow-up and spatial analysis of the American Cancer Society study linking particulate air pollution and mortality*. Health Effects Institute Boston, MA, 2009.
8. S. Kumar and A. Jasuja, "Air quality monitoring system based on IoT using Raspberry Pi," in *2017 International conference on computing, communication and automation (ICCCA)*, 2017, pp. 1341-1346: IEEE.
9. A. M. Kirthima and A. J. I. J. C. A. Raghunath, "Air quality monitoring system using Raspberry Pi and web socket," vol. 975, p. 8887, 2017.
10. Y. Jiang *et al.*, "MAQS: a personalized mobile sensing system for indoor air quality monitoring," in *Proceedings of the 13th international conference on Ubiquitous computing*, 2011, pp. 271-280.
11. K. Zheng, S. Zhao, Z. Yang, X. Xiong, and W. J. I. A. Xiang, "Design and implementation of LPWA-based air quality monitoring system," vol. 4, pp. 3238-3245, 2016.
12. N. A. Janssen *et al.*, "Black carbon as an additional indicator of the adverse health effects of airborne particles compared with PM10 and PM2.5," vol. 119, no. 12, pp. 1691-1699, 2011.

-
13. F. Laden, L. M. Neas, D. W. Dockery, and J. J. E. h. p. Schwartz, "Association of fine particulate matter from different sources with daily mortality in six US cities," vol. 108, no. 10, pp. 941-947, 2000. 148
149

Disclaimer/Publisher's Note: The statements, opinions and data contained in all publications are solely those of the individual author(s) and contributor(s) and not of MDPI and/or the editor(s). MDPI and/or the editor(s) disclaim responsibility for any injury to people or property resulting from any ideas, methods, instructions or products referred to in the content. 150
151
152