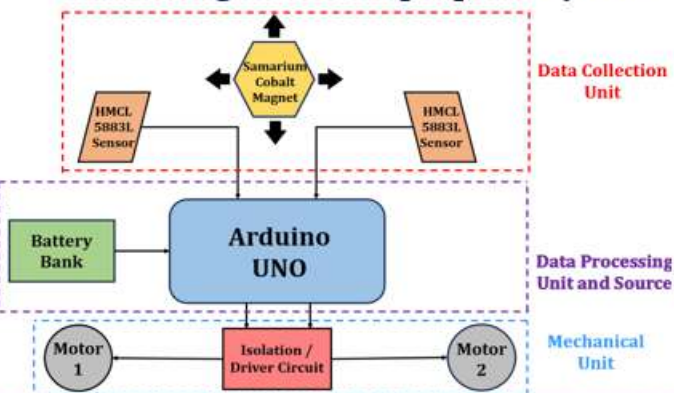


Development of jaw controlled wireless navigation governing system for wheelchair to empower person with impaired upper limb

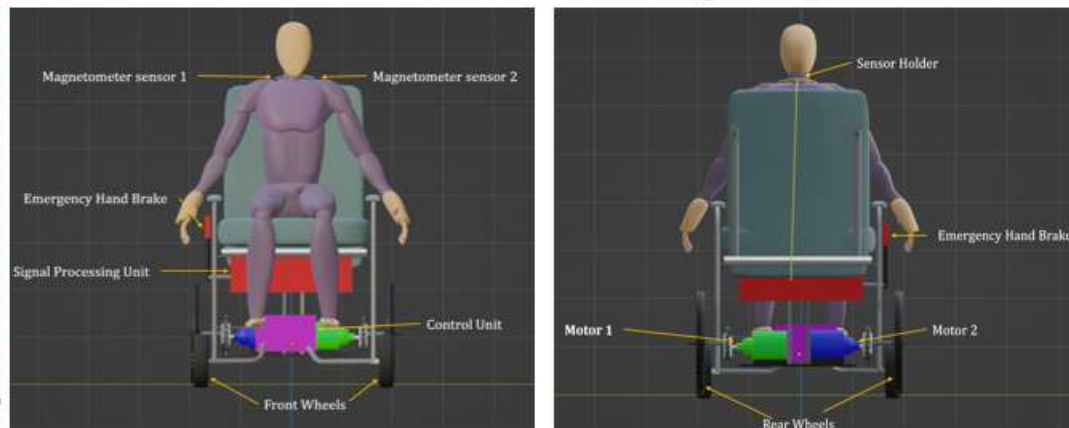
Dhanasekar R, Vijayaraja L, Narenthira Sai Raam P P, Mirthulaa C S, Pranav P, Benita Evangeline B.

SCIFORUM ID - 104012

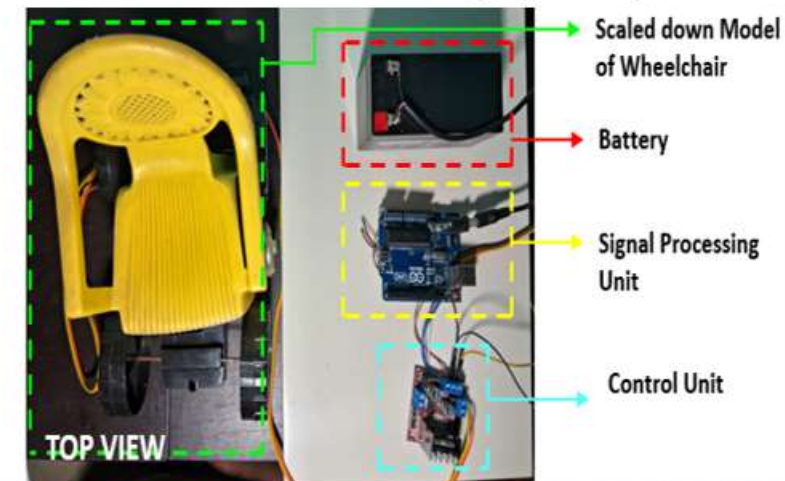
Block Diagram of the proposed system



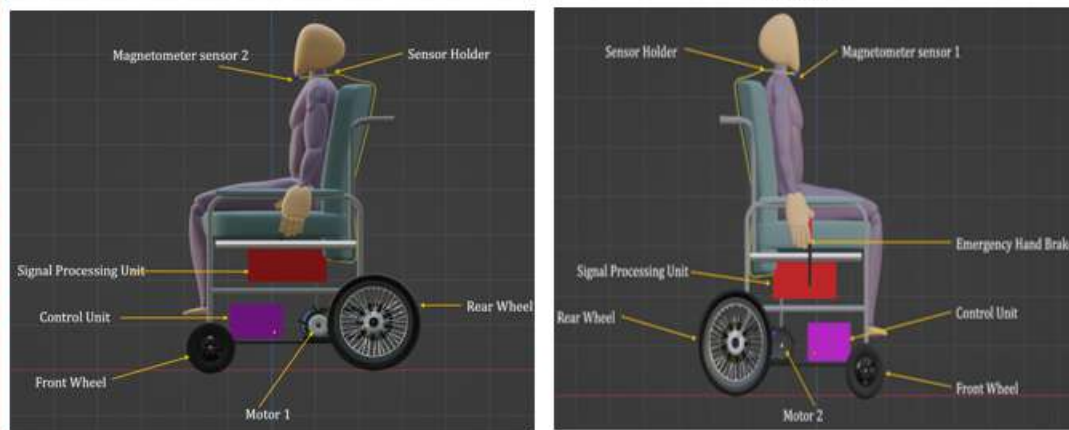
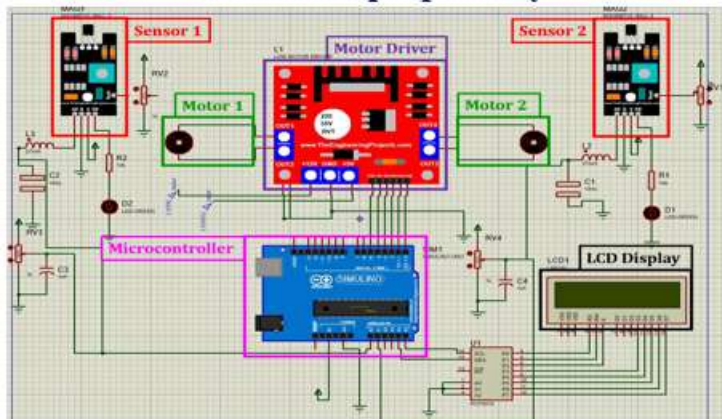
3-Dimensional view of the Proposed system



Hardware construction of the proposed system



Simulation of the proposed system



Instructions for each directional motion

