

Enhanced Safety Logic Solver Utilizing 2oo3 Architecture with Memristor Integration [†]

Chuthong Summatta and Somchat Sonasang ^{*}Faculty of Industrial Technology, Nakhon Phanom University, Nakhon Phanom 48000, Thailand;
chuthong@npu.ac.th^{*} Correspondence: somchat.s@npu.ac.th; Tel.: +66-091-9498-425[†] Presented at the 10th International Electronic Conference on Sensors and Applications (ECSA-10), 15–30 November 2023; Available online: <https://ecsa-10.sciforum.net/>.

Abstract: A Safety Instrument Function (SIF) averts hazardous incidents that may arise due to diverse anomalies within a system. The SIF prevents potential dangers by comprising three integral components—the Sensing Element, the Logic Solver, and the Final Element. The 2oo3 architecture is the optimal configuration for each SIF component, employing both AND and OR logic designs for its voting mechanism. Type A devices, recognized for their passive nature, exemplify robustness and reliability. While these devices are acknowledged as the most dependable, semi-conductor devices or microcontrollers, categorized as Type B, often find application in logic processing. This paper introduces the incorporation of memristors, inherently passive devices with memory attributes, into the system. The Logic Solver, which calculates confidence values, exhibited greater efficacy than Type B devices. Verification was conducted through LTspice circuit simulations. Result of the Memristor for Logic Solver in the safety Instrumentation function (SIF) IEC 61508/61511 standard: voter circuit has the lowest components, failure rate, and most mean time to failure. That is more reliable than the other voter.

Keywords: memristor; 2oo3; logic solver; fail-safe

1. Introduction

The enhanced safety logic solver holds a pivotal role in fail-safe systems, primarily responsible for meticulously processing the monitoring of sensor unit failures within a given system [1–4]. It is the linchpin of safety mechanisms dedicated to averting potential hazards that may ensue from diverse anomalies that can occur for various reasons. Such hazards are especially critical in railway signalling, elevator door mechanisms, and electric motor drive systems. The safety evaluation of the 2oo3 voting logic solver is paramount in achieving a stringent safety level of SIL3. This intricate process involves receiving signals from three type a sensors and meticulous processing through a static voting component. Subsequently, the signals are directed toward the logic solver and window comparator circuits [5,6], culminating in transmitting a DC signal to the final element. The components within this subsystem encompass both Type A and Type B devices. Type A devices are characterized by their fundamental components, such as resistors, inductors, and capacitors, each with clearly defined failure modes. They consistently operate reliably even under predefined fault conditions, and their data integrity remains intact despite failure. In stark contrast, Type B devices incorporate integrated circuit components or microprocessors, which, while versatile, are less reliable, possess shorter lifespans, and are inherently less verifiable. As a groundbreaking addition to the field, Memristors represent a novel category of passive devices [7] and are now recognized as the fourth fundamental electrical element. They exhibit behaviour akin to resistors regarding ohmic

Citation: Summatta, C.; Sonasang, S. Enhanced Safety Logic Solver Utilizing 2oo3 Architecture with Memristor Integration. *Eng. Proc.* **2023**, *56*, x.

<https://doi.org/10.3390/xxxxx>

Academic Editor(s): Name

Published: 15 November 2023



Copyright: © 2023 by the authors. Submitted for possible open access publication under the terms and conditions of the Creative Commons Attribution (CC BY) license (<https://creativecommons.org/licenses/by/4.0/>).

characteristics while boasting intrinsic memory attributes [7–9]. Memristors have found extensive applications in various circuit domains, including digital circuits [10–14].

In the following sections, this paper presents the design and development of a 2-out-of-3 voter system expertly incorporating memristors. These innovative components are harnessed to craft a robust logic circuit specifically tailored for deployment within the Safety Instrument Function Level 3 (SIL3) system [15,16]. Performance analysis is carried out through meticulous examination of the mean time of failure (MTTF) [17], with rigorous testing facilitated by the LTspice simulation program [18].

2. Fundamental Theory and Method

2.1. Safety Instrumentation Function

The Safety Instrumentation Function (SIF), as in Figure 1, guided by IEC 61508/61511 standards [15], safeguards operational systems from accidents caused by anomalies. It comprises three key elements: Sensing Element: Converts process variables into standardized electrical signals for monitoring and control system display. Logic Solver: Processes signals, compares them to set values, and delivers them to the end device. It includes power supply, central processing, communication, and control components. Final Element: Converts processed signals into a format suitable for the system controller. Vital for safety considerations. The IEC standards assign a Safety Integrity Level (SIL), ensuring equipment design aligns with acceptable error levels considering cumulative component failure hazards.

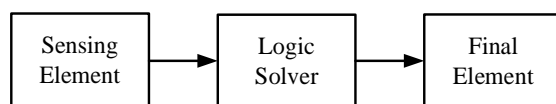


Figure 1. Safety Instrumentation Function (SIF) [15].

2.2. The 2oo3 Voting

The 2oo3 voting consists of six switches to detect the error of the 2 out of 3 detectors, and the logic design has three AND logics and OR logics following Equation (1).

$$Y = AB + BC + CA \tag{1}$$

From past research [1–3], the 2oo3 detection method is very safe. It will be a dynamic processing model. Static processing is a process without a contact, like a dynamic one, but uses a static switch instead. Using the equation from the same logic equation is shown in Figure 2.

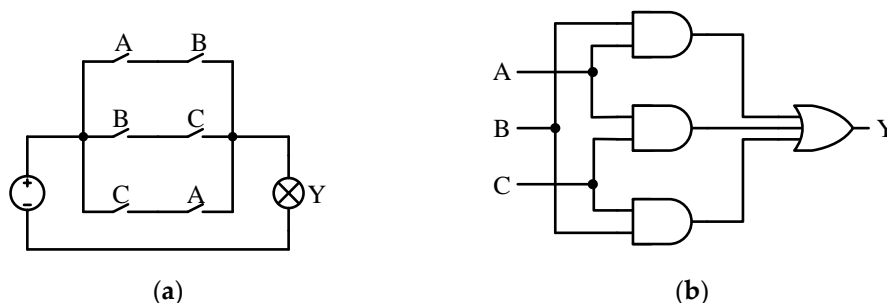


Figure 2. The 2oo3 voting: (a) Relay circuits; (b) Logic circuits.

2.3. The Memristor

A memristor is a bipolar passive element with a relationship between charge and flux [7]. A memristor is a combination of the term Memory and Resistor. Ideally, the resistance of the Memristor increases if the charge flows through the Memristor in one direction and

decreases if the current flows in the other direction. When the current stops flowing, the resistance of the Memristor remains constant [7–9]. The symbol and current-voltage characteristic curve is shown in Figure 3.



Figure 3. The Memristor [7]: (a) Symbol; (b) The I - V characteristic curve.

The characteristics of Memristor can create a voltage divider circuit, as present in [10–14], that can create OR logic and AND logic gate circuits, as shown in Figure 4.

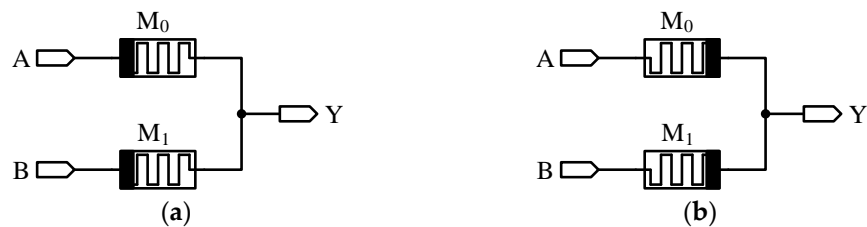


Figure 4. Logical OR and AND with Memristor [8,9]: (a) Logical OR; (b) Logical AND.

The ideal use of a memristor as a logic circuit is a passive circuit that does not require a power supply utilizing a logic output signal generated by a voltage divider from the Memristor. Moreover, gates and OR gates behave differently due to the property of the Memristor in terms of the current flow direction. Where input side logic 1 is the supply voltage, and logic 0 is ground. The output side gets a logic 0 or 1 from the voltage the memristor resistor voltage divider provides. The operation of AND logic with a memristor is shown in Figure 5.

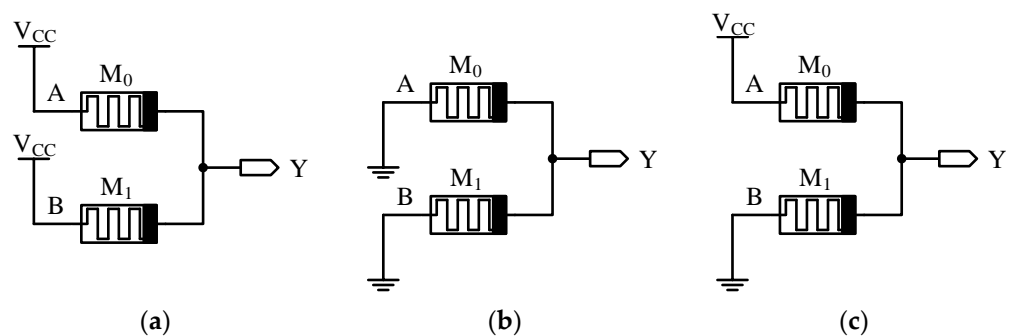


Figure 5. Logical AND with memristor [10,11]: (a) $M_0 = M_1 = R_{off}$ ($Y = V_{CC}$); (b) $M_0 = M_1 = R_{on}$ ($Y = GND$); (c) $M_0 = R_{off}, M_1 = R_{on}$ ($Y = \text{logic "0"}$).

Figure 5a input A is logic 1, and input B is logic 1; no current flows through the circuit, and the output is logic 1 or V_{CC} . Figure 5b input A is logic 0 and B is logic 0; there is no current flow through the circuit, and output is logic 0 or GND. Figure 5c input A is logic 1, and B is logic 0, the resistance of Memristor M_0 increases (R_{off}), the resistance of Memristor M_1 decreases (R_{on}), the current can flow through from V_{CC} to GND, the output is logic 0.

Figure 6a Input A is logic 1, and input B is logic 1. Current can flow through the circuit, and the output is logic 1 or V_{CC} . Figure 6b input A is logic 0 and B is logic 0; there is no current flow through the circuit, and output is logic 0 or GND. Figure 6c input A is logic 1, and B is logic 0, the resistance of memristor M_0 decreases (R_{on}), the resistance of memristor M_1 increases (R_{off}), the current can flow through from V_{CC} to node Y, output is logic 1.

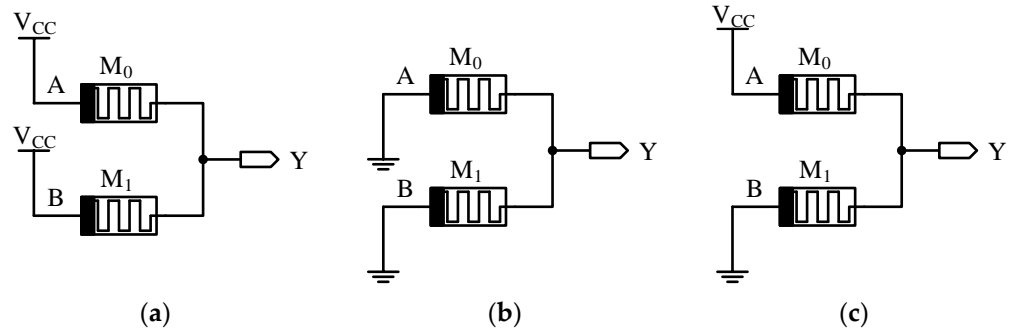


Figure 6. Logical OR with memristor [10,11]: (a) $M_0 = M_1 = R_{on}$ ($Y = V_{CC}$); (b) $M_0 = M_1 = R_{off}$ ($Y = GND$); (c) $M_0 = R_{on}, M_1 = R_{off}$ ($Y = \text{logic "1"}$).

3. Results and Discussion

3.1. 2oo3 Logic Solver with Memristor

Based on the theories and methods mentioned above, the 2oo3 Logic Solver with a Memristor circuit can be designed, as shown in Figure 7.

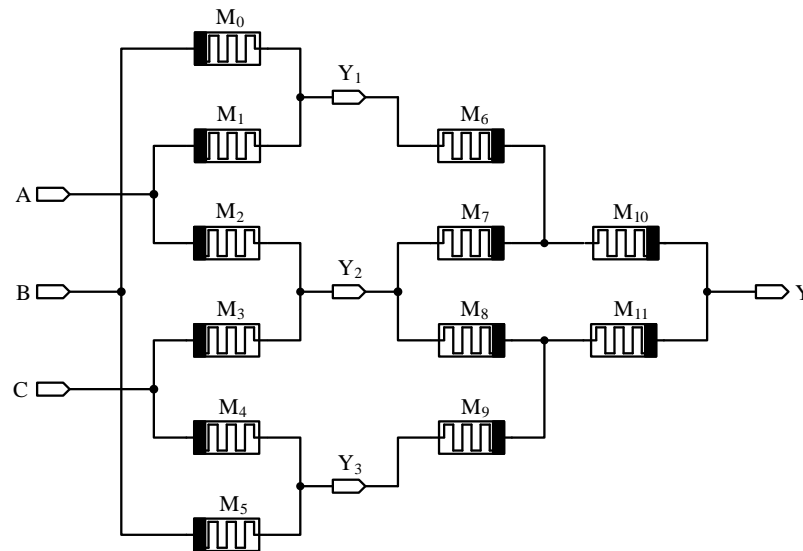


Figure 7. The 2oo3 logic solver with Memristor.

Figure 7 Memristors M_0 to M_5 instead of 3 of two-input AND gate, and M_6 to M_{11} instead of three-input OR gate. Test the operation of the circuit with the simulation program LTspice. The results are obtained according to the truth table of 2oo3.

3.2. Reliability Value

The Military Handbook “Reliability Prediction of Electronic Equipment” (MIL-HDBK-217F) [18] proposed a failure rate of electronic equipment. This work compares 2oo3 voters in different devices of logic ICs and Memristor (In this case, replace the Memristor with a resistor), as shown in Table 2.

Table 1. The truth table of 2oo3 voting.

A	B	C	Y
0	0	0	0
0	0	1	0
0	1	0	0
0	1	1	1
1	0	0	0
1	0	1	1
1	1	0	1
1	1	1	1

Table 2. The failures of electronic equipment.

No	Notation	Components	Failure Rate (10 ⁻⁶ h)
1	λ_p	Opto-coupler [2]	0.08160
2	λ_D	Diode [2]	0.01213056
3	λ_p	Logic ICs	0.15
4	λ_p	Resistor	0.0069

The failure rate of electronic equipment 2oo3 voter device can be calculated by the sum of failure rate, comparing the two devices using the same model, the Chip Carrier (Surface Mount) Package Type Correction Factor. The overall failure rate, the decrease in the number of devices in a lower failure rate and the mean time of failure [17] is the approximation of reliability at a time of failure rate. If the failure rate is lower, the average time to failure increases, as shown in Table 3.

Table 3. Comparison of the sum of failure rate and mean time to failure.

Type of 2oo3 Voter Devices	The Sum of Failure Rate (Hour)	The Mean Time to Failure (Hour)
Opto-coupler [2]	0.4896×10^{-6}	2,042,483
Opto-coupler and Diode [2]	0.3385×10^{-6}	2,953,947
Logic ICs	0.6000×10^{-6}	1,666,666
Memristor	0.0414×10^{-6}	24,154,589

Table 3, A comparison of the sum of failure rate and mean time to failure shows that the Memristor has the lowest failure rate and the most of mean time to failure. Four logic gates and six memristors calculate the sum of the failure rate of Logic ICs. The proposed 2oo3 with the Memristor has a reliability value of 14.49 times that of the Logic ICs model.

4. Conclusions

This paper introduces a novel 2oo3 voter integrated with Memristor for the Enhanced Safety Logic Solver in the Safety Instrumentation Function (SIF) following the IEC 61508/61511 standard. The objective of this study is to showcase an alternative application of memristors. Notably, the proposed voter circuit for the Enhanced Safety Logic Solver exhibits several advantages, including reduced component count, lower failure rates, and superior mean time to failure. These attributes collectively render it a more reliable choice compared to conventional alternatives.

Author Contributions: Conceptualization, C.S.; methodology, C.S. and S.S.; software, C.S. and S.S.; validation, S.S., formal analysis, C.S.; investigation, C.S. and S.S.; writing—original draft preparation, C.S.; writing—review and editing, S.S. All authors have read and agreed to the published version of the manuscript.

Funding: This research received no external funding.

Institutional Review Board Statement: Not applicable.

Informed Consent Statement: Not applicable.

Data Availability Statement: Not applicable.

Acknowledgments: The authors would like to demonstrate gratitude toward the Department of Electronic Technology, Faculty of Industrial Technology of the Nakhon Phanom University for research time, the research grant, instrumentation, Faculty Industrial Technology of the Nakhon Phanom University to support financials.

Conflicts of Interest: The authors declare no conflict of interest.

References

1. Deeon, S.; Hirao, Y.; Futsuhara, K. A Fail-safe Counter and its application to Low-speed Detection. *Trans. Reliab. Eng. Assoc. Jpn.* **2011**, *33*, 137–146.
2. Summatta, C.; Deeon, S. Design and Analysis of 2oo3 Static Voter for SMT function in an Adjustable Speed Electrical Power Drive System. *J. Telecommun. Electron. Comput. Eng. (JTEC)* **2019**, *11*, 1–6.
3. Summatta, C.; Khamsen, W.; Pilikeaw, A.; Deeon, S. Design and Analysis of 2-out-of-3 Voters Sensing in Electrical Power Drive System. In Proceedings of the Conference on Electrical Engineering/Electronics, Computer, Telecommunications and Information Technology 2016, Chiang Mai, Thailand 28 June–1 July 2016.
4. Summatta, C.; Rattanangam, W. The improvement of a fail-safe counter for low-speed detection. *Przegląd Elektrotechniczny* **2021**, *97*, 23–28.
5. Summatta, C.; Deeon, S. A Window Comparator Circuit with Digital Switching Levels. In Proceedings of the 9th International Conference on Sciences, Technology and Innovation for Sustainable Well-Being (STISWB 2017), Kunming University of Sciences and Technology, Kunming, China, 2017; pp. 74–78.
6. Summatta, C.; Phurahong, T.; Rattanangam, W.; Chaiyong, W. Low-cost and Compact Window Comparator Circuit with MOSFET-Resistor Voltage References. In Proceedings of the IEEE 2nd International Conference on Power and Energy Applications (ICPEA 2019), Singapore, 27–30 April 2019; pp. 75–78.
7. Chua, L.O. Memristor the missing circuit element. *IEEE Trans. Circuit Theory* **1971**, *18*, 507–519.
8. Keshmiri, V. *A Study of the Memristor Models and Applications*; Department of Electrical Engineering Linköping Universitet: Linköping, Sweden, no. LITH-EX-11/4455.
9. Cherian, J. Memristor—Defining the future of storage. *Techwire Blog*. 2011.
10. Borghetti, J.; Snider, G.S.; Kuekes, P.J.; Yang, J.J.; Stewart, D.R.; Williams, R.S. Memristive switches enable stateful logic operations via material implication. *Nature* **2010**, *464*, 873–876.
11. Singh, T. Hybrid Memristor-CMOS (MeMOS) based Logic Gates and Adder Circuits. *ArXiv* **2015**, arXiv:1506.06735.
12. Huang, Y.; Li, S.; Yang, Y.; Chen, C. Progress on Memristor-Based Analog Logic Operation. *Electronics* **2023**, *12*, 2486. <https://doi.org/10.3390/electronics12112486>.
13. Fahmy, G.A.; Zorkany, M. Design of a Memristor-Based Digital to Analog Converter (DAC). *Electronics* **2021**, *10*, 622. <https://doi.org/10.3390/electronics10050622>.
14. Mladenov, V. Application of Metal Oxide Memristor Models in Logic Gates. *Electronics* **2023**, *12*, 381. <https://doi.org/10.3390/electronics12020381>.
15. IEC 61508-6; Functional Safety of Electrical/ Electronic/Programmable Electronic Safety-Related Systems Part 6: Guidelines on the Application of Parts 2 and 3. Publisher: City, Country, Year.
16. Krasich, M. How to estimate and use MTTF/MTBF would the real MTBF please stand up? In *Reliability and Maintainability Symposium*; Publisher: City, Country, 2009; pp. 353–359.
17. MIL-HDBK-217F; *Military Handbook Reliability Prediction of Electronic Equipment*; US Department of Defense: Washington, DC, USA, 1991.
18. Mladenov, V. A Unified and Open LTSPICE Memristor Model Library. *Electronics* **2021**, *10*, 1594. <https://doi.org/10.3390/electronics10131594>.

Disclaimer/Publisher's Note: The statements, opinions and data contained in all publications are solely those of the individual author(s) and contributor(s) and not of MDPI and/or the editor(s). MDPI and/or the editor(s) disclaim responsibility for any injury to people or property resulting from any ideas, methods, instructions or products referred to in the content.