

TLBO Tuned a Novel Robust Fuzzy Control Structure for LFC of a Hybrid Power System with Photovoltaic Source [†]

Mokhtar Shouran ^{1,2,*} and Fatih Anayi ¹

¹ Wolfson Centre for Magnetics, School of Engineering, Cardiff University, CF24 3AA, Cardiff, UK; Anayi@cardiff.ac.uk

² Department of Control Engineering, College of Electronics Technology, Bani Walid, Libya.

* Correspondence: shouranma@cardiff.ac.uk; Tel.: +44-7424491429

[†] Presented at the 1st International Electronic Conference on Processes: Processes System Innovation, 17–31 May 2022; Available online: <https://ecp2022.sciforum.net>.

Abstract: This study proposes a new Fuzzy Logic Control (FLC) design based I controller plus Fuzzy Cascade FOPI-FOPD (I + F C FOPI-FOPD) for Load Frequency Control (LFC) in power systems. The structure of this design offers a satisfactory level of reliability as well as excellent robustness performance. The proposed fuzzy design is employed a hybrid dual area power system based on a photovoltaic renewable energy plant in area one and a thermal generation unit in area two. In order for achieving the best possible dynamic performance of the proposed structure, Teaching Learning Based Optimization (TLBO) algorithm is suggested to optimally tune the scaling factor gains of the proposed fuzzy configuration. The superiority of the suggested fuzzy control design is investigated by conducting a comparative study between this design and a previously applied PI-based firefly algorithm. Simulation results revealed that the fuzzy logic controller introduced in this study is reliable, superior and appropriately handled the problem of frequency variation.

Keywords: Fuzzy Logic Control (FLC); Load Frequency Control (LFC); Dual Area Power System; Teaching Learning Based Optimization (TLBO).

1. Introduction

Modern power systems are becoming more reliant on Renewable Energy Resources (RERs). The dependence on RERs is mainly due to the continuous incremental in the prices of fossil fuels in addition to avoiding the emission of greenhouses gases and its obvious link to the global warming dilemma. Besides, the fact of increasing power demand in today's world requires a huge number of different generating units to interconnect through existing transmission lines called tie-lines to meet the increasing power consumption, this also leads to adopting the term of hybrid power systems where electrical networks rely on RERs along with the traditional power resources. The RESs in interconnected power systems may be photovoltaic (PV), wind turbine (WT), energy storage system, fuel cell (FC) with electrolyser and battery. Solar and wind energy resources have been considered the most commonly used in power systems among the various RESs. However, many modern power systems remain to rely on thermal generation to meet the demand of end-users. This gives an obvious idea of the vital role that thermal units play in power systems in addition to the continued increase in RESs reliance. [1].

From a control engineering point of view, ensuring a stable and reliable operation of power modern power systems is one of the most challenging processes. This is due to the continuous increase in their size which in turn lead to more complexity in addition to having to consider the external/internal disturbances that power systems unpredictably experience.

Citation: Lastname, F.; Lastname, F.; Lastname, F. Title. *Proceedings* **2022**, *69*, x. <https://doi.org/10.3390/xxxxx>

Academic Editor: Firstname Lastname

Published: date

Publisher's Note: MDPI stays neutral with regard to jurisdictional claims in published maps and institutional affiliations.



Copyright: © 2022 by the authors. Submitted for possible open access publication under the terms and conditions of the Creative Commons Attribution (CC BY) license (<https://creativecommons.org/licenses/by/4.0/>).

Further, load demand in most power systems is continually changing and this change consequences a deviation in frequency, tie-line power flow and in turn requires a similar change in the generation side. Accordingly, the mismatch between the demanded power and the generated power is the reason for the frequency and tie-line power deviations throughout the whole power system. Importantly, in stable, secure, and reliable power systems, frequency and tie-line power flow are to be maintained in their pre-specified limits in normal operating conditions as well as in case of sudden disturbance occurrence which is achieved by balancing the active power output of the generated power and the requested demand plus the possible losses. This control mechanism is called Load Frequency Control (LFC). As a result of installing this loop-LFC in power systems, frequency and tie-line power deviations are guaranteed to be always zero or within acceptable limits. Based on this, improper LFC system design may undermine the overall behavior of the controlled system causing undesired fluctuations in frequency and tie-line flow which in turn may lead to system instability. [2].

Due to the above-mentioned issues, incorporating LFC in power systems based on different generating sources became the most significant research area to focus on. To overcome this issue, many researchers presented different approaches to simulate LFC integrated into different power systems. Traditional control techniques, robust control methods, sliding mode control and artificial controllers have been applied in this field. In [3], PI controller-based firefly optimization algorithm is designed and implemented for LFC in a dual area interconnected power system incorporating a PV system. PI controller tuned by Harris Hawks optimizer based LFC in two different power systems with RERs has been successfully implemented to regulate the frequency in the case of sudden load disturbance [4]. The movable damped wave algorithm tuned Fractional Order (FO) PID equipped as an LFC system in two and four area interconnected power systems with PV and WT plants, the FOPID based the proposed algorithm has outperformed the same controller tuned by other optimization techniques [5]. Another application of FOPID in LFC for power systems with RERs has been suggested in [6], in this study, a modified hunger games search optimizer has been proposed to find the optimal values of the FOPID's gains. An adaptive PI based LFC system installed in two different dual area power systems has been proposed in [7], the suggested controller has evidenced its superiority over the traditional PI. LFC based Sliding Mode Control (SMC) is proposed in [8] for a hybrid power system incorporating WT and energy storage systems. A new SMC based on disturbance observer is suggested in [9] for LFC in a hybrid power system considering the presence of WT, system parametric uncertainty and non-linear restrains. Linear matrix inequality based particle swarm (PSO) optimization algorithm is proposed in [10] to stabilize the frequency in a power system with different energy resources. Model predictive control approach has also been proposed for frequency stabilization in a hybrid power system consisting of different plants including WT [11].

Notably, in recent years, LFC based fuzzy logic control has received considerable attention. This is due to the wide range of merits offered by this controller. Furthermore, soft computing techniques have been exploited to achieve the best possible dynamic performance of FLC. Fuzzy PID with filtered derivative action optimized by the Bees Algorithm has been successfully implemented as an LFC system in a simplified form of the Great Britain power system [12]. Different fuzzy structures are proposed in [13] to damp the frequency/tie-line power variations in a two-area power system. In this study, the proposed fuzzy PI plus Fuzzy PD has illustrated slight supremacy over the other investigated configurations. A fuzzy Cascade FOPI-FOPD based PSO for LFC purposes in a multi-area electrical system is studied in [14]. Another application of FLC based frequency regulation is investigated in [15], in this study the proposed controller is installed in a two-area multi-source power system with a PV unit, WT and redox flow battery has successfully damped the frequency deviation under various operating conditions. In [16], an adaptive fuzzy FOPID is implemented for LFC in the renewable penetrated electrical power network.

Notwithstanding the above-mentioned techniques have different merits and successfully solved the problem of frequency deviation to a great extent, it is noteworthy mentioning the limitation of installing these techniques in power systems. For example, the traditional controllers are known not to provide the required response when the controlled system undergoes possible operating conditions of non-linearities or high sensitivity. However, the low cost is the main advantage of classical controllers. In terms of other controllers such as adaptive control and SMC, although they offer an effective performance as LFC systems, the complexity in their design and high computational time and burden are known as the most common limitations. Furthermore, some useful studies have proposed and applied different structures of fuzzy control for frequency regulation, however, most of these techniques lack the consideration of reliability in the design.

Therefore, the authors of this paper propose a novel FLC configuration that guarantees a high level of reliability for LFC in a dual area power system incorporating a PV unit. The suggested technique is I controller plus Fuzzy Cascade FOPI-FOPD (I + F C FOPI-FOPD). Moreover, to obtain to best performance from the suggested controller, a well-known/powerful optimization tool called Teaching learning-based optimization algorithm is used in this work to optimally set the parameters of the proposed I + F C FOPI-FOPD. Furthermore, the outperformance of this controller is evidenced by comparing the results with those based on PI optimized by firefly algorithm studied in [3]

2. Power System Under Study

In this study, a two-area interconnected power system is considered to demonstrate the effectiveness of the proposed fuzzy controller for LFC purposes.

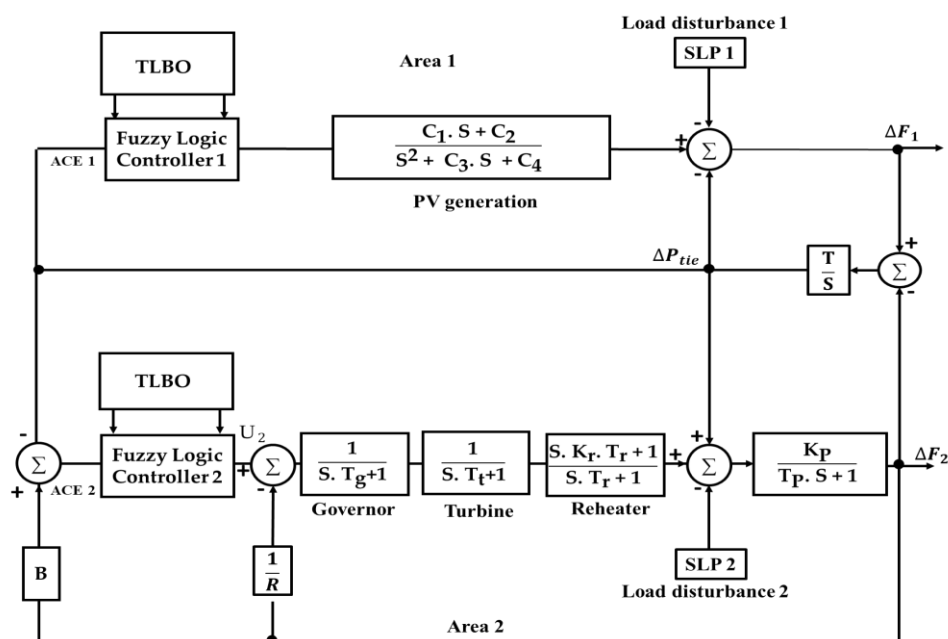


Figure 1. The testbed dual area power system.

As shown in Figure. 1, this system consists of a PV plant equipped in area one and a thermal unit installed in area two. This system has extensively been used in the literature [3, 7]. The values of the parameters of the investigated system are as follows:

$$C_1 = -18, C_2 = 900, C_3 = 100, C_4 = 50$$

$$T_g = 0.08, T_t = 0.18, K_r = 3.3, T_r = 10, K_p = 120, T_p = 20 \text{ and } T = 0.545.$$

3. The Proposed LFC System

As above-mentioned, this study develops and implements a new fuzzy configuration in order to achieve the required level of reliability.

3.1. I controller plus cascade Fuzzy FOPI-FOPD

Figure 2 demonstrates the structural diagram of the proposed controller. This controller comprises two parts; a fuzzy cascade FOPI-FOPID enhanced with a classical I controller. As it is obvious the fuzzy part has two inputs “the Area Control Error (ACE) and change of ACE” in addition to one output. The output signal of the fuzzy controller is connected with the input of FOPI. However, the input signal of the latter controller “FOPD” is the output signal of the FOPI in addition to the ACE signal. Finally, the output signal of FOPD is added to the output of the classical I which in total represent the control signal of the proposed controller. The rule bases of the fuzzy controller are given in Table 1 while the membership function of the inputs and the output are illustrated in Figure 3.

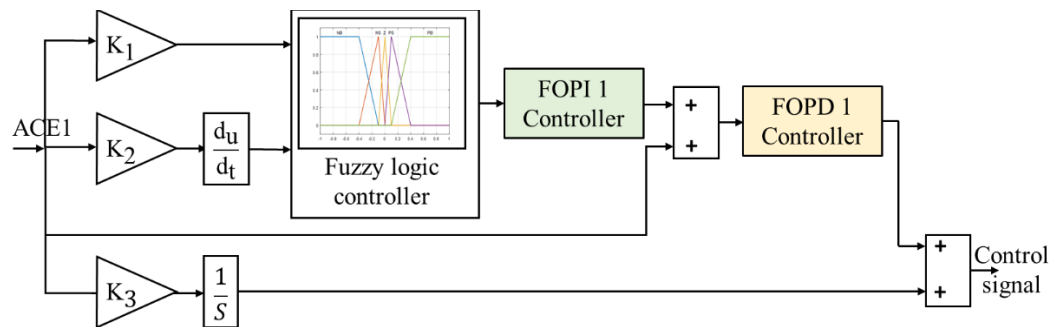


Figure 2. the diagram of the proposed I plus Fuzzy Cascade FOPI-FOPD

Table 1. Fuzzy role bases.

ACE 1	ACE 1				
	NB	NS	Z	PS	PB
NB	NB	NB	NB	NS	Z
NS	NB	NB	NS	Z	PS
Z	NB	NS	Z	PS	PB
PS	NS	Z	PS	PB	PB
PB	Z	PS	PB	PB	PB

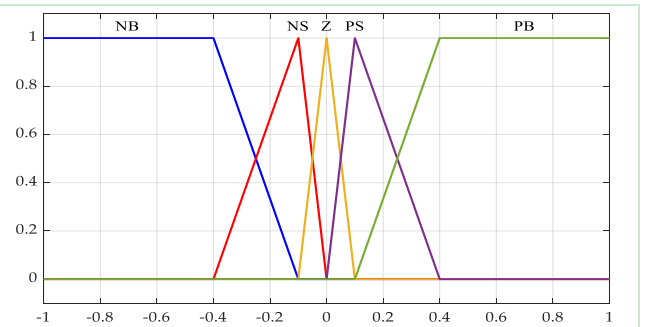


Figure 3. Membership functions of inputs/output.

3.2. The optimisation tool-TLBO and the objective function

In order to enhance the performance of the proposed LFC system, the values of its parameters are found by employing the TLBO by minimizing the Integral Time Absolute Error (ITAE) of the frequency deviation in both areas and the tie-line power fluctuation (see equation (1)). The mechanism and the variants of the suggested TLBO are given in [17].

$$\text{Objective Function} = \text{ITAE} = \int_0^t (|\Delta F_1| + |\Delta F_2| + |\Delta P_{\text{tie}}|).t. dt \tag{1}$$

4. Results and Discussion

The proposed controller is equipped in the system, a controller in each area, then a load disturbance of 0.1 pu is applied in area two. The optimal values of the controller obtained by TLBO are given in Table 2. The frequency deviation in areas one, two and tie-line power fluctuation are given in figures 4, 5 and 6 respectively in addition to Table 3. Also, these figures provide a comparison between the results obtained via the proposed fuzzy controller results-based PI tuned by FA. Figures 4-6 and Table 3 reveal the

effectiveness and superiority of the proposed fuzzy controller. This controller has successfully met the requirements of LFC systems and provided excellent responses in all aspects.

Table 2. The optimum values of the I plus Fuzzy C FOPI-FOPD.

Controller	Parameters								
Area one controller	K_1	K_2	K_3	K_{P11}	K_{I1}	λ_1	K_{P12}	K_{D1}	μ_1
	0.284	0.7304	-1.9193	0.5200	0.4816	0.6971	-1.6179	0.7885	0.1499
Area two controller	K_4	K_5	K_6	K_{P21}	K_{I2}	λ_2	K_{P22}	K_{D2}	μ_2
	-1.28	-0.1798	-2	-2	0.0409	0.1631	-1.6188	0.0142	0.2625

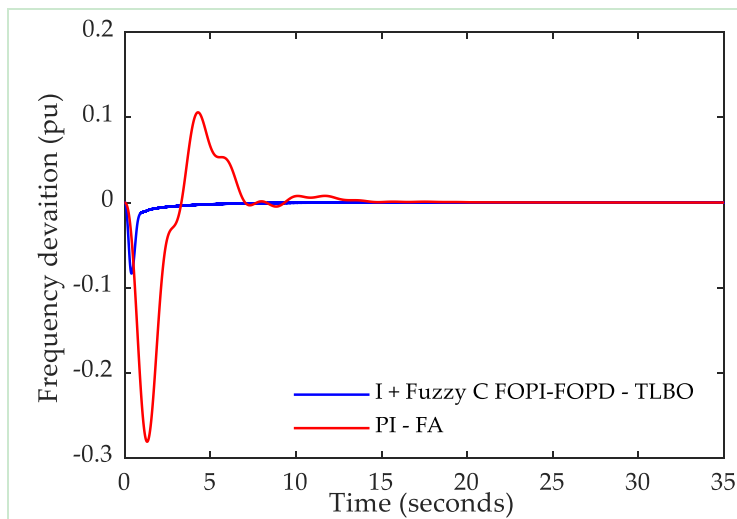


Figure 4. Frequency drop in area one.

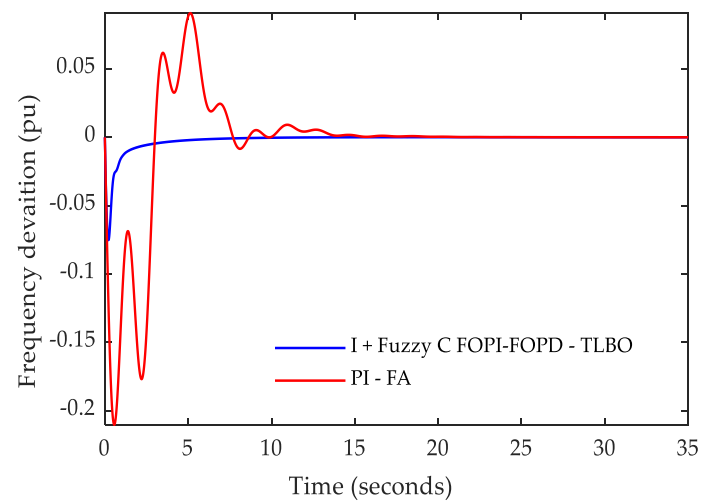


Figure 5. Frequency drop in area two.

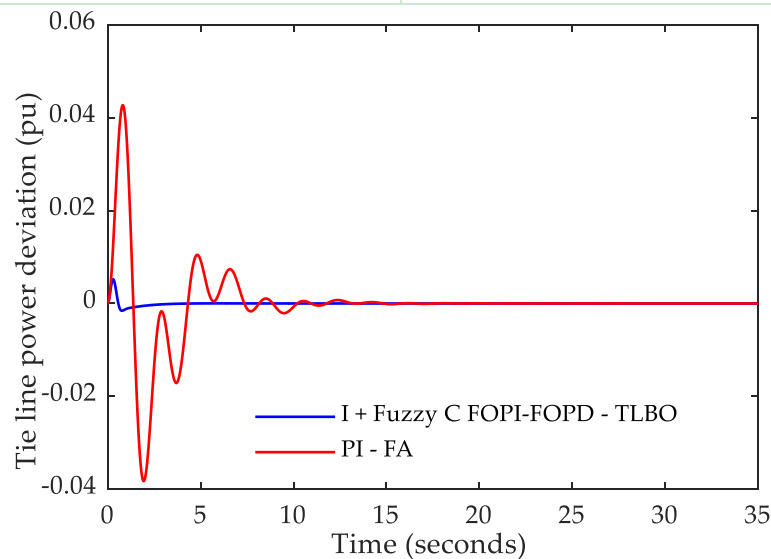


Figure 6. Tie line power deviation.

Table 3. the dynamic response of the system with the proposed controller.

Controller	Frequency in area one			Frequency in area two			Tie line power deviation			ITAE
	U_{sh} in pu	O_{sh} in pu	T_s in s	U_{sh} in pu	O_{sh} in pu	T_s in s	U_{sh} in pu	O_{sh} in pu	T_s in s	
I + F C FOPI-FOPD	-0.0835	0	5.697	-0.0751	0	5.9810	-0.0015	0.0052	3.3810	0.267
PI - FA	-0.281	0.106	12.283	-0.210	0.0908	13.1132	-0.0382	0.0427	9.9657	4.192

5. Conclusion

Concisely, this paper developed and implemented a virgin fuzzy control structure named I plus Fuzzy Cascade FOPI-FOPD employed as an LFC system in a dual area power system incorporating a PV unit in area one. This controller has significantly damped the frequency deviation in both areas and has also outperformed the previously proposed PI controller-based FA.

Author Contributions: Both authors have contributed the same in producing this work.

Conflicts of Interest: The authors declare no conflict of interest.

References

1. D. H. Tungadio and Y. Sun, "Load frequency controllers considering renewable energy integration in power system," *Energy Reports*, vol. 5, pp. 436–453, 2019, doi: 10.1016/j.egy.2019.04.003.
2. M. Shouran, F. Anayi, and M. Packianather, "A State-of-the-Art Review on LFC Strategies in Conventional and Modern Power Systems," in *2021 International Conference on Advance Computing and Innovative Technologies in Engineering (ICACITE)*, 2021, pp. 268–277, doi: 10.1109/ICACITE51222.2021.9404653.
3. S. M. Abd-Elazim and E. S. Ali, "Load frequency controller design of a two-area system composing of PV grid and thermal generator via firefly algorithm," *Neural Comput. Appl.*, vol. 30, no. 2, pp. 607–616, Jul. 2018, doi: 10.1007/s00521-016-2668-y.
4. D. Yousri, T. S. Babu, and A. Fathy, "Recent methodology based Harris Hawks optimizer for designing load frequency control incorporated in multi-interconnected renewable energy plants," *Sustain. Energy, Grids Networks*, vol. 22, p. 100352, Jun. 2020, doi: 10.1016/j.segan.2020.100352.
5. A. Fathy and A. G. Alharbi, "Recent Approach Based Movable Damped Wave Algorithm for Designing Fractional-Order PID Load Frequency Control Installed in Multi-Interconnected Plants With Renewable Energy," *IEEE Access*, vol. 9, pp. 71072–71089, 2021, doi: 10.1109/ACCESS.2021.3078825.
6. A. Fathy, D. Yousri, H. Rezk, S. B. Thanikanti, and H. M. Hasanien, "A Robust Fractional-Order PID Controller Based Load Frequency Control Using Modified Hunger Games Search Optimizer," *Energies*, vol. 15, no. 1, p. 361, Jan. 2022, doi: 10.3390/en15010361.
7. M. Mokhtar, M. I. Marei, M. A. Sameh, and M. A. Attia, "An Adaptive Load Frequency Control for Power Systems with Renewable Energy Sources," *Energies*, vol. 15, no. 2, p. 573, Jan. 2022, doi: 10.3390/en15020573.
8. Y. Xu, Y. Ma, Y. Han, T. Hu, X. Lun, and Y. Mi, "Load Frequency Control for Renewable Energy Power System Based on Sliding Mode control with Hybrid Energy Storage," in *2020 Chinese Control And Decision Conference (CCDC)*, Aug. 2020, pp. 1340–1345, doi: 10.1109/CCDC49329.2020.9163995.
9. Y. Mi, Y. Fu, D. Li, C. Wang, P. C. Loh, and P. Wang, "The sliding mode load frequency control for hybrid power system based on disturbance observer," *Int. J. Electr. Power Energy Syst.*, vol. 74, pp. 446–452, 2016, doi: 10.1016/j.ijepes.2015.07.014.
10. S. K. Pandey, S. R. Mohanty, N. Kishor, and J. P. S. Catalão, "Frequency regulation in hybrid power systems using particle swarm optimization and linear matrix inequalities based robust controller design," *Int. J. Electr. Power Energy Syst.*, vol. 63, pp. 887–900, Dec. 2014, doi: 10.1016/j.ijepes.2014.06.062.
11. R. Loka, A. M. Parimi, and S. Srinivas, "Model Predictive Control Design for Fast Frequency Regulation in Hybrid Power System," in *2022 2nd International Conference on Power Electronics & IoT Applications in Renewable Energy and its Control (PARC)*, Jan. 2022, pp. 1–5, doi: 10.1109/PARC52418.2022.9726571.
12. M. Shouran, F. Anayi, M. Packianather, and M. Habil, "Load Frequency Control Based on the Bees Algorithm for the Great Britain Power System," *Designs*, vol. 5, no. 3, p. 50, Aug. 2021, doi: 10.3390/designs5030050.
13. M. Shouran, F. Anayi, M. Packianather, and M. Habil, "Different Fuzzy Control Configurations Tuned by the Bees Algorithm for LFC of Two-Area Power System," *Energies*, vol. 15, no. 2, p. 657, Jan. 2022, doi: 10.3390/en15020657.
14. M. Shouran and A. Alseid, "Particle Swarm Optimization Algorithm-Tuned Fuzzy Cascade Fractional Order PI-Fractional Order PD for Frequency Regulation of Dual-Area Power System," *Processes*, vol. 10, no. 3, p. 477, Feb. 2022, doi: 10.3390/pr10030477.
15. M. A. R. Shafei, D. K. Ibrahim, and M. Bahaa, "Application of PSO tuned fuzzy logic controller for LFC of two-area power system with redox flow battery and PV solar park," *Ain Shams Eng. J.*, vol. 13, no. 5, p. 101710, Sep. 2022, doi: 10.1016/j.asej.2022.101710.
16. A. Annamraju and S. Nandiraju, "Robust frequency control in a renewable penetrated power system: an adaptive fractional order-fuzzy approach," *Prot. Control Mod. Power Syst.*, vol. 4, no. 1, p. 16, Dec. 2019, doi: 10.1186/s41601-019-0130-8.
17. F. Zou, D. Chen, and Q. Xu, "A survey of teaching – learning-based optimization," *Neurocomputing*, vol. 335, pp. 366–383, 2019, doi: 10.1016/j.neucom.2018.06.076.